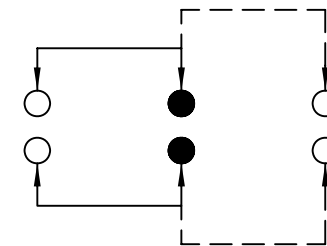
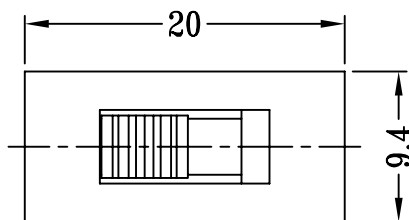
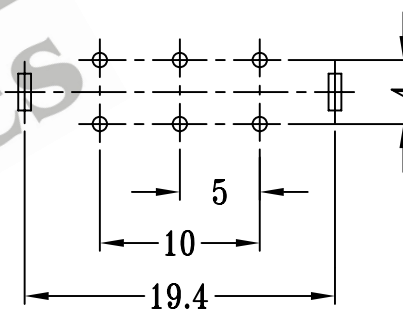
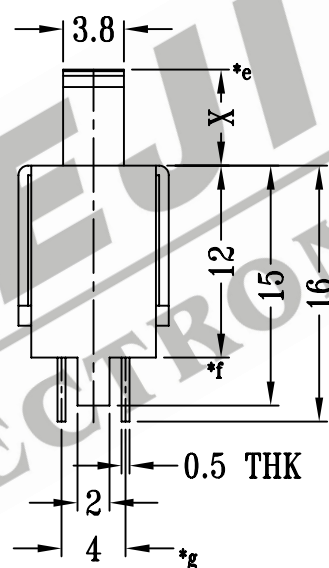
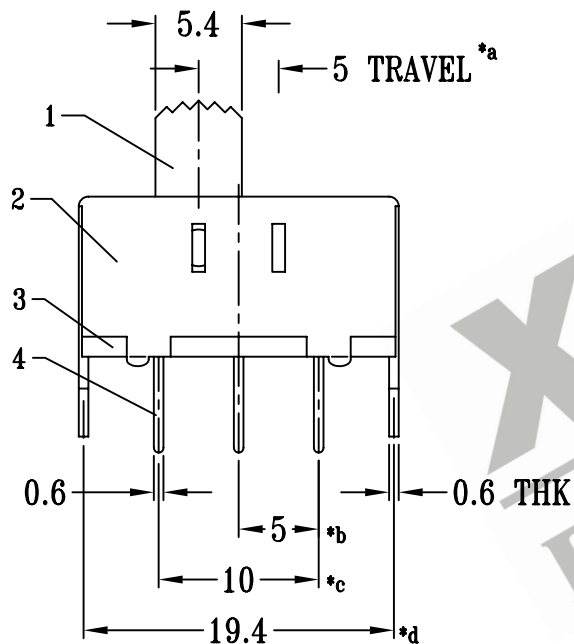


CAD FILE:



SCHEMATIC (NON-SHORTING)



P.C.B LAYOUT

注:带\*表示关键尺寸(7个)

NO.	PARTS	MATERIALS	Q'TY	FINISH	TOLERANCE UNLESS SPECIFIED	SHENZHEN XIEJIA ELECTRONICS CO.,LTD.					
8						WITHIN: 1.5±0.1mm OVER : 1.5±0.2mm	ISSUE	DATE	DESCRIPTIONS OF REVISION		APPD.
7	STEEL BALL	STELL	2	NATURAL							
6	SPRING	STEEL WIRE	1	TEMPER							
5	CONTACT CLIP	PBS STRIP	2	Ag PLATED							
4	TERMINAL	BRASS STRIP	6	Ag PLATED OVER Ni PLATED	TITLE : VERTICAL SLIDE SWITCH	UNIT : mm	DRWG NO.: XJ-DR-SS22J22-00				
3	BASE	PHENOLIC RESIN	1	BLACK	MODEL: SS-22J22	SCALE: 2:1	DWN.	ZHOUYU	2005-6-7		
2	FRAME	STEEL STRIP	1	Ni PLATED			CHK'D	FANGYING	2005-6-7		
1	KNOB	POM	1	BLACK			APPD.	KANGXINAN	2005-6-7		
					ALL MATERIALS MUST BE COMPLIANT TO ROHS						